

Model

NINA



Guarantee

Frame and seat suspension
Lifetime guarantee

Rest of Pieces 2 years*

*6-month guaranty extension by activating it on the web

Technical Information

Frame	Frame of pine wood and MDF
Seat Suspension	Lifetime guarantee
Back Suspension	
Seat Foam	Polyurethane 35kg + fibre + Polyurethane 35kg
Seat Firmness	Medium Foam (white) + soft foam (grey)
Back Cushions	Polyurethane 30kg
Loose Cushions	Fibre fibersilk 100%
Legs Options	Wooden / Metal
Colours	Natural, Walnut / Chrome, Dark Grey
Comments:	* Would you like to know more? Check the FAQS section in our website

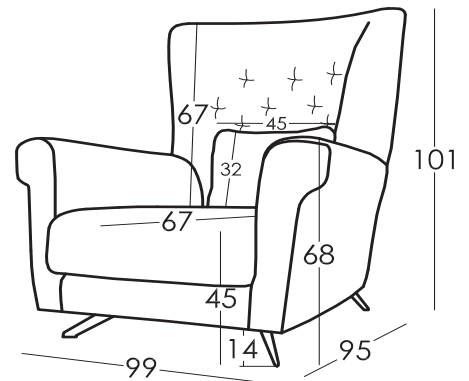
Cushions Measures

Lumbar Cushion 45 x 32 cm

Measures

Width	x cm
Height	101 cm
Depth	95 cm
Seat Height	45 cm
Arm Height	68 cm
Back Height	67 cm
Depth when open	- cm
Net Weight	- kg
Gross Weight	- kg
Volume m3	- m3

Scheme



Packaging

Shrink wrapping plastic packaging with protective corner brackets

Options



Types of Standard Foam

Hardness: Soft: Grey colour 35Kg	Hardness: Medium: White colour 35Kg	Hardness: Hard: Green colour 30Kg
--	---	---

Types of Fire Retardant Foam

Hardness: Medium: Yellow colour 33Kg	Hardness: Soft: White colour 36Kg
--	---

* You can request a different seat hardness from the standard of the model with a small price increase

NINA is manufactured by Fama Sofas, whose quality system is certified by AENOR and IQNET, according to ISO 9001-2008, with certificate number ER 0790/1999.

All models have passed the tests required for granting the quality control label from Aidima-Cetem laboratories.



fama